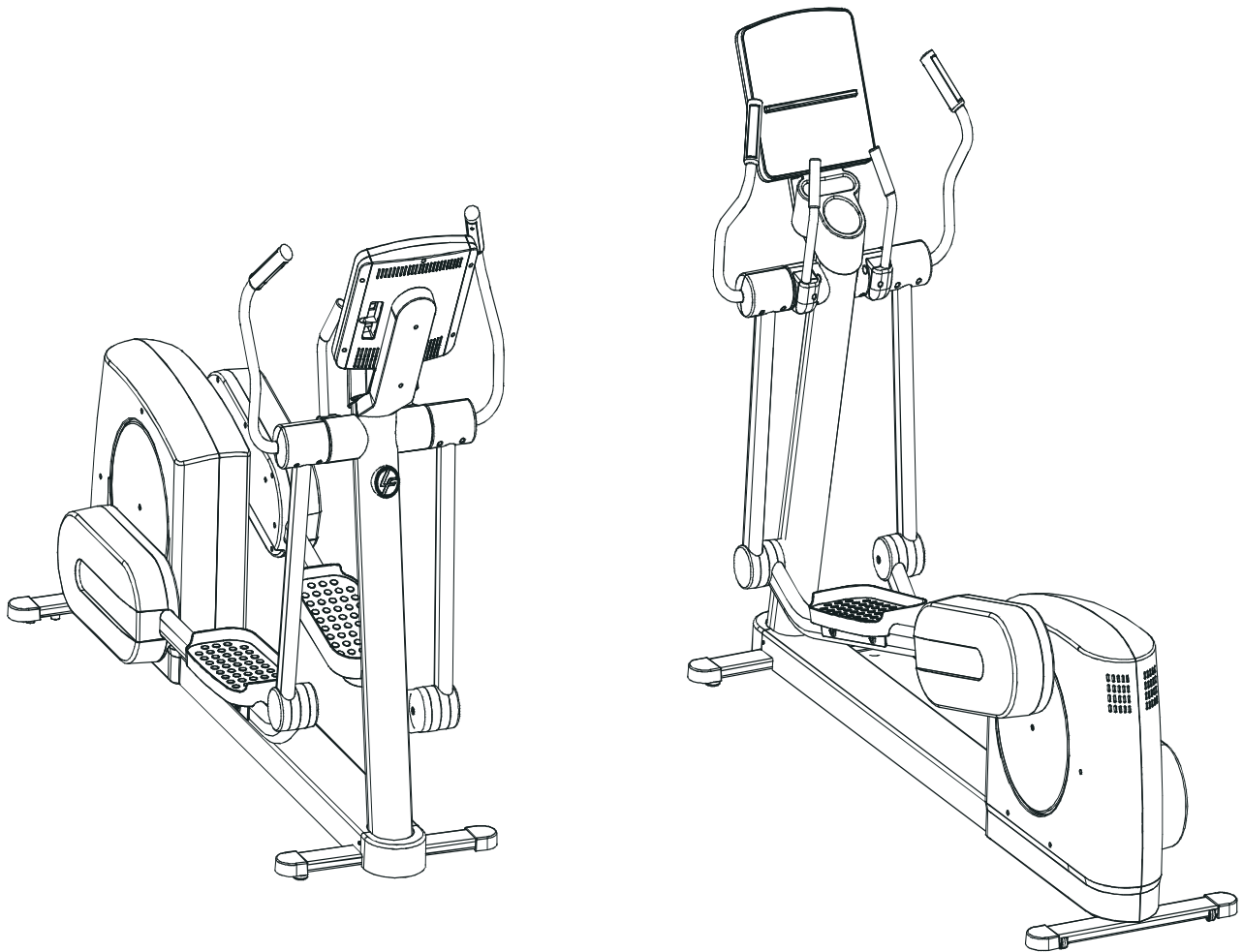


LifeFitness

CROSS-TRAINER 93X-0XXX-01



Customer Support Services **PARTS MANUAL** rev 03 Sep 2010

CROSS TRAINER 93X
REFERENCES

93X-0XXX-01
S/N XTB100000

OPERATION MANUAL	M051-00K62-A026
SERVICE MANUAL	M051-00K62-A060
HARDWARE BAG	AK62-00152-0001
PLUG IN OPTION 120/60	GK62-00002-0018
PLUG IN OPTION 240/50 UK	GK62-00002-0019
PLUG IN OPTION 240v AUS	GK62-00002-0020
PLUG IN OPTION 230/50 CONT	GK62-00002-0021
C-SAFE KIT	GK63-00002-0003

	Page
CONSOLE SUPPORT & DEADSHAFT COVERS	4
HANDLEBARS AND BULLHORNS	5
CONSOLE AND RELATED COMPONENTS	6
UPPER FRAME HARDWARE	7
ROCKER ARMS AND PEDAL LEVERS	8
CRANK COVER AND LOWER CAPS	9
LOWER FRAME SHROUDS AND HARDWARE	10
PEDAL LEVER COMPONENTS	11
DRIVE MODULE COMPONENTS AND MAIN CABLE	12
DRIVE MODULE HARDWARE	13
CABLES	14

Note: The 93X has Telemetry only.

CROSS TRAINER 93X

Console Support & Deadshaft Covers

93X-0XXX-01

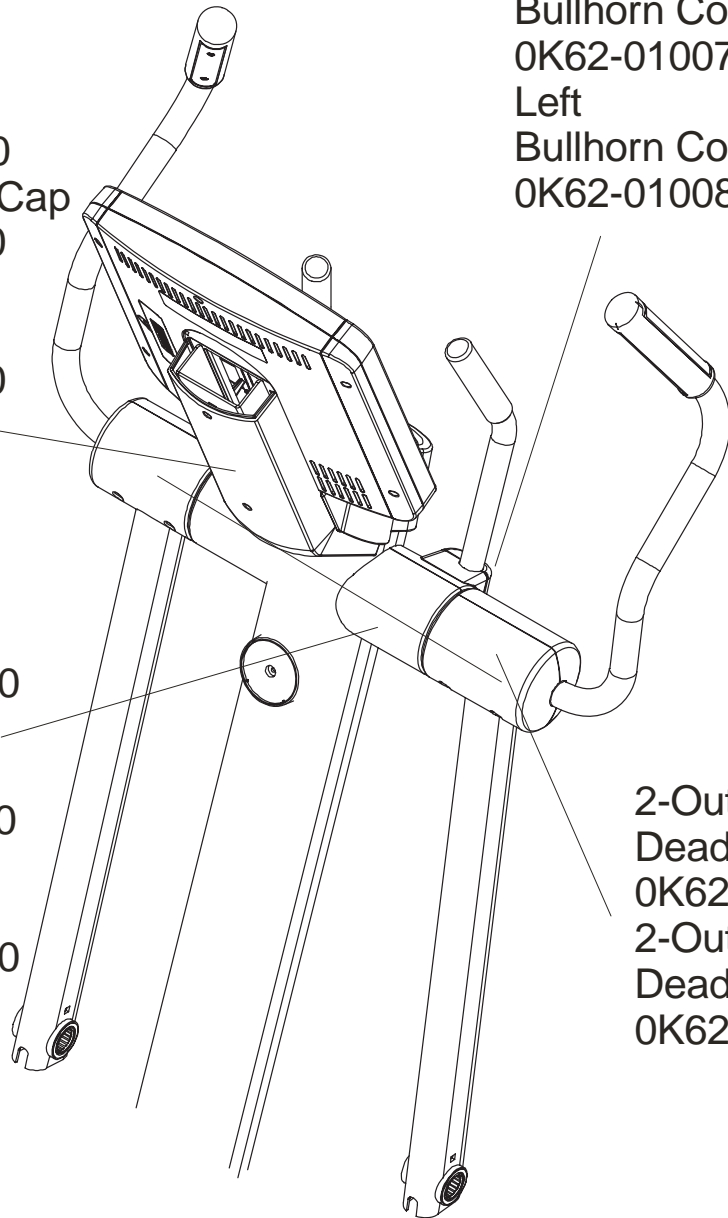
S/N XTB100000

Console Support
AK62-00123-0000
Console Support Cap
0K62-01030-0000
Console Support
Shroud
0K62-01023-0000

Right
Bullhorn Cover
0K62-01007-0001
Left
Bullhorn Cover
0K62-01008-0001

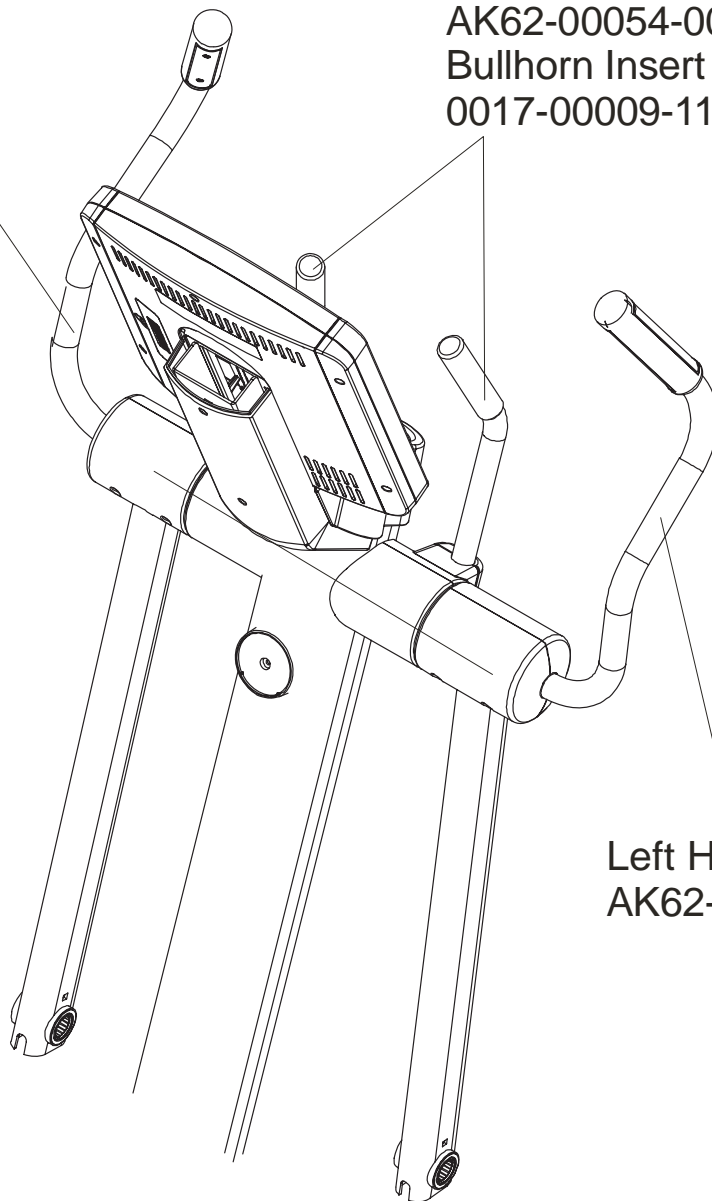
Right Inside
Deadshaft Cover
0K62-01010-0000
Left Inside
Deadshaft Cover
0K62-01011-0000
2-Front Inside
Deadshaft Cover
0K62-01009-0000

2-Outside Rear
Deadshaft Cover
0K62-01013-0000
2-Outside Front
Deadshaft Cover
0K62-01012-0000



Right Handlebar
AK62-00090-0000

*Right Bullhorn Assembly
AK62-00053-0000
Left Bullhorn Assembly
AK62-00054-0000
Bullhorn Insert
0017-00009-1191

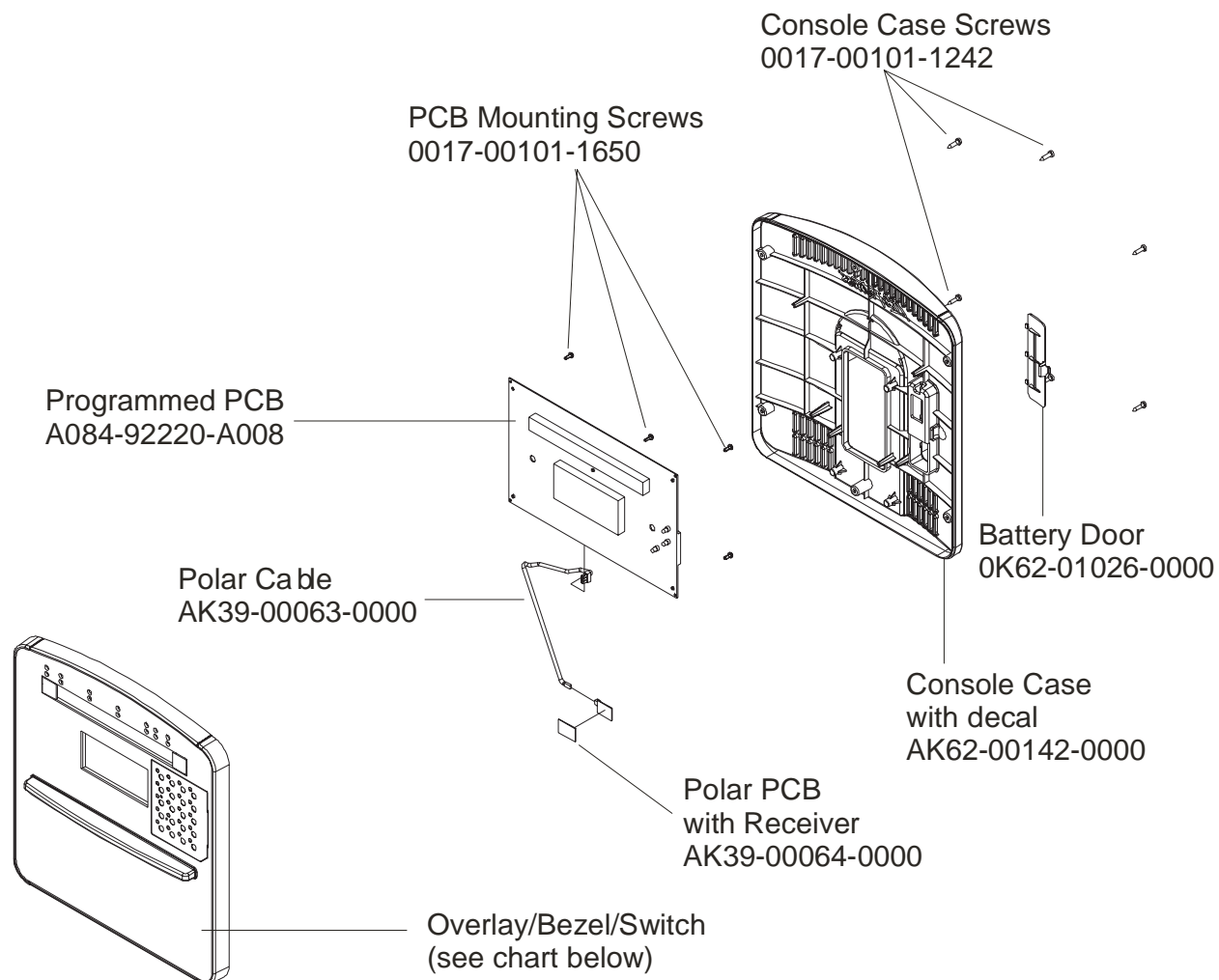


Left Handlebar
AK62-00091-0000

*Right Bullhorn Assembly consists of: AK62-00057-0000 Bullhorn,
0K62-01136-0000 Grip and 0K62-01199-0000 Gasket
Left Bullhorn Assembly consists of: AK62-00058-0000 Bullhorn,
0K62-01136-0000 Grip and 0K62-01199-0000 Gasket

CROSS TRAINER 93X
Console & Related components

93X-0XXX-01
S/N XTB100000



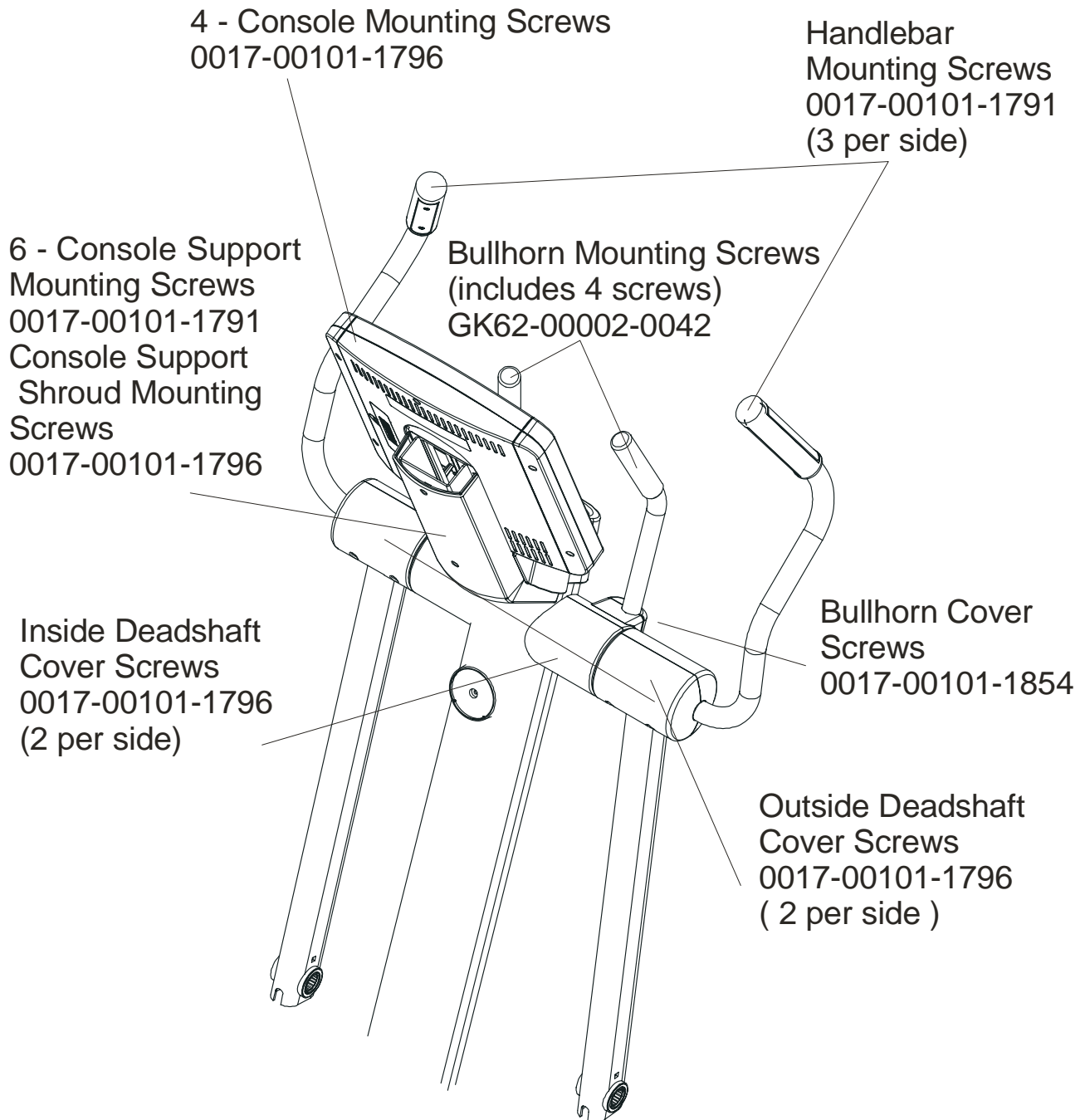
CONSOLE	OVERLAY/BEZEL/SWITCH	LANGUAGE
AK62-00150-0001	AK62-00190-0001	Eng + Met
AK62-00150-0003	AK62-00190-0003	Ger/Met
AK62-00150-0004	AK62-00190-0004	Spn/Met
AK62-00150-0006	AK62-00190-0006	Jap/Met
AK62-00150-0007	AK62-00190-0007	Frn/Met
AK62-00150-0008	AK62-00190-0008	Ital/Met
AK62-00150-0009	AK62-00190-0009	Dut/Met
AK62-00150-0010	AK62-00190-0010	Port/Met

CROSS TRAINER 93X

Upper Frame Hardware

93X-0XXX-01

S/N XTB100000



Items Not Shown:

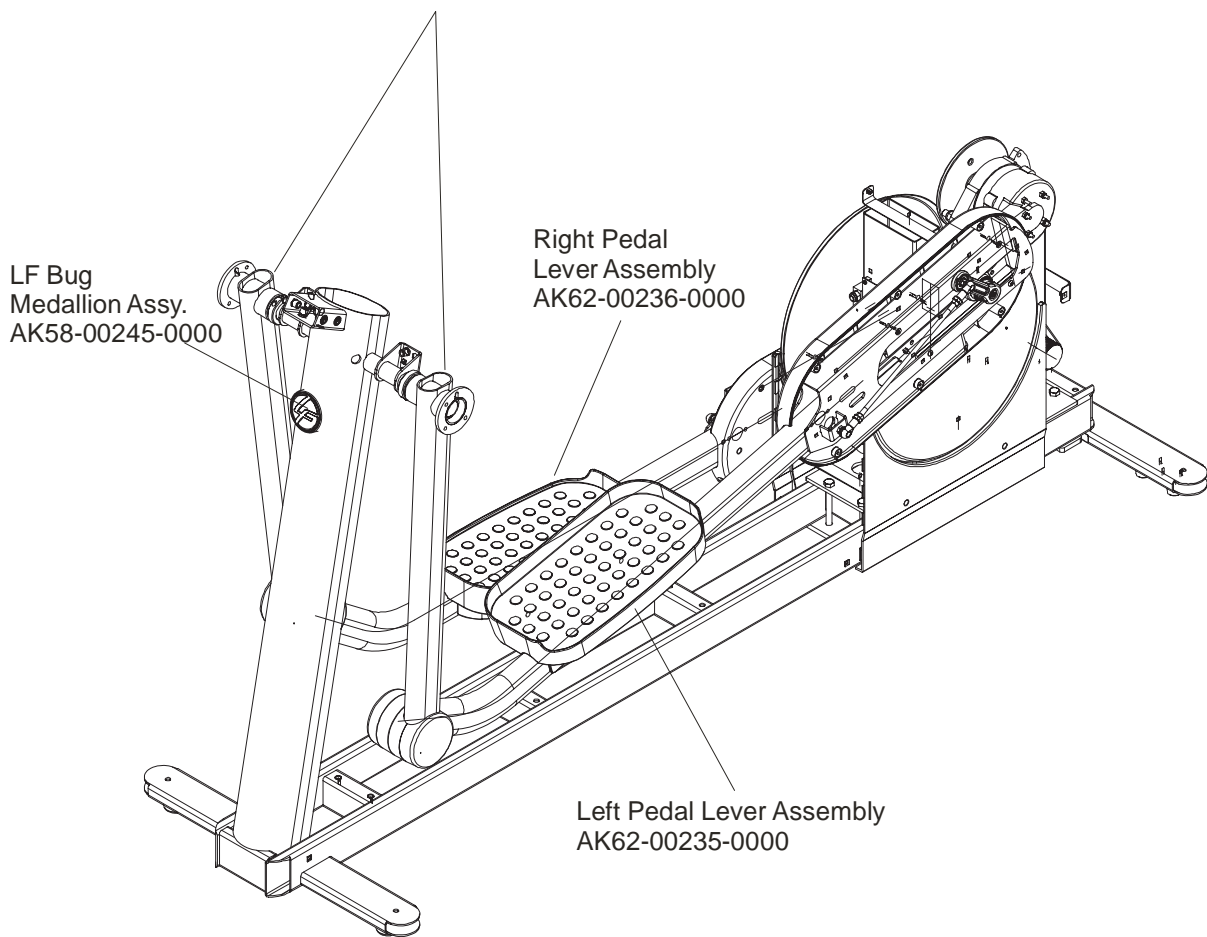
Accessory Tray	0K62-01022-0000
Mounting Screws (2)	0017-00101-1846

CROSS TRAINER 93X
Rocker Arms & Pedal Levers

93X-0XXX-01
S/N XTB100000

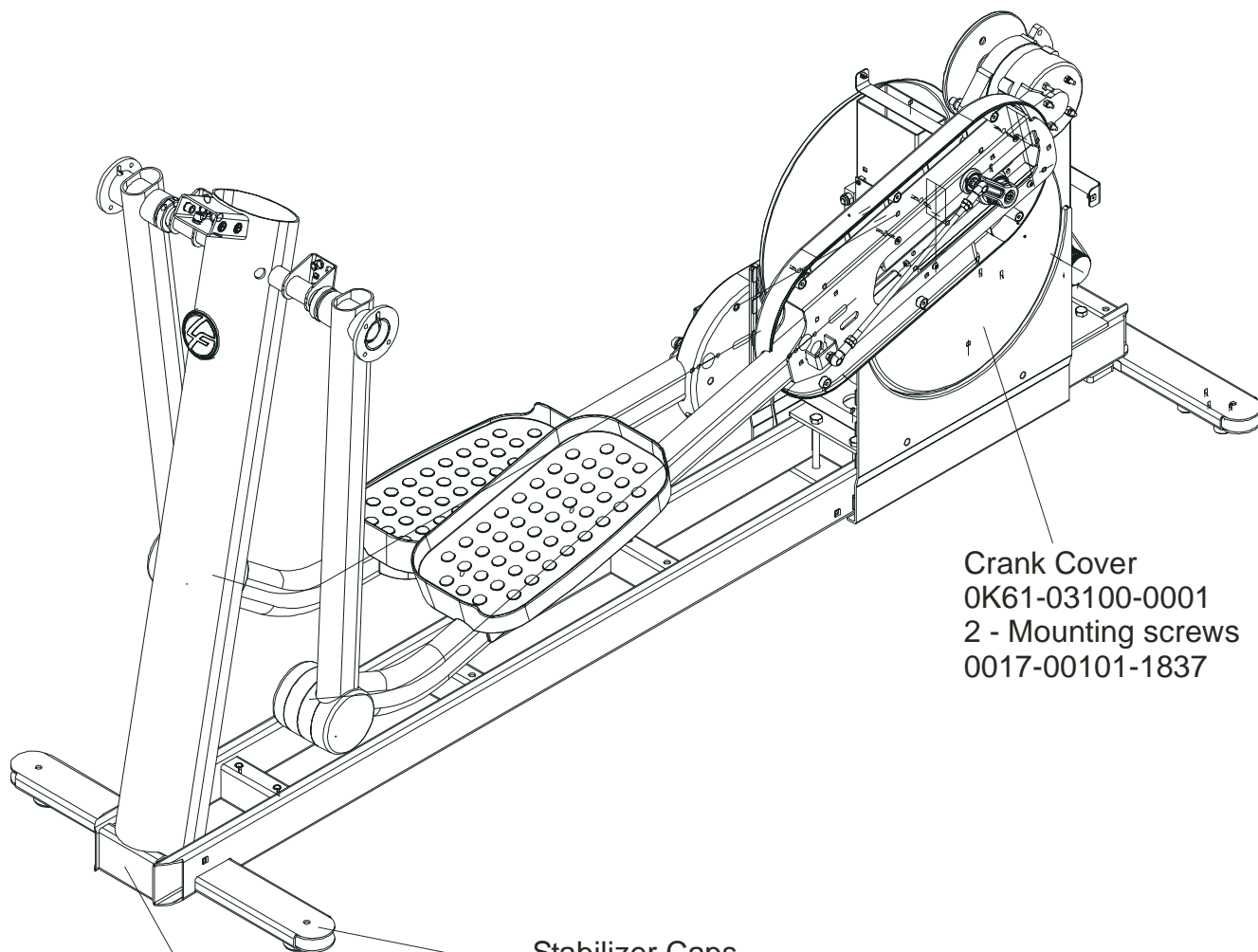
Rocker Arms Kit
GK62-00002-0070
contents:
Rocker Arms (2)
Hardened Spacers (2)
Oilite Washers (2)
Retaining Rings (2)
Loctite 620
Alcohol pad

Rocker Arms
AK62-00062-0001
Shaft Collar w/Screws
OK61-01259-0000



CROSS TRAINER 93X
Crank Cover and Lower Caps

93X-0XXX-01
S/N XTB100000



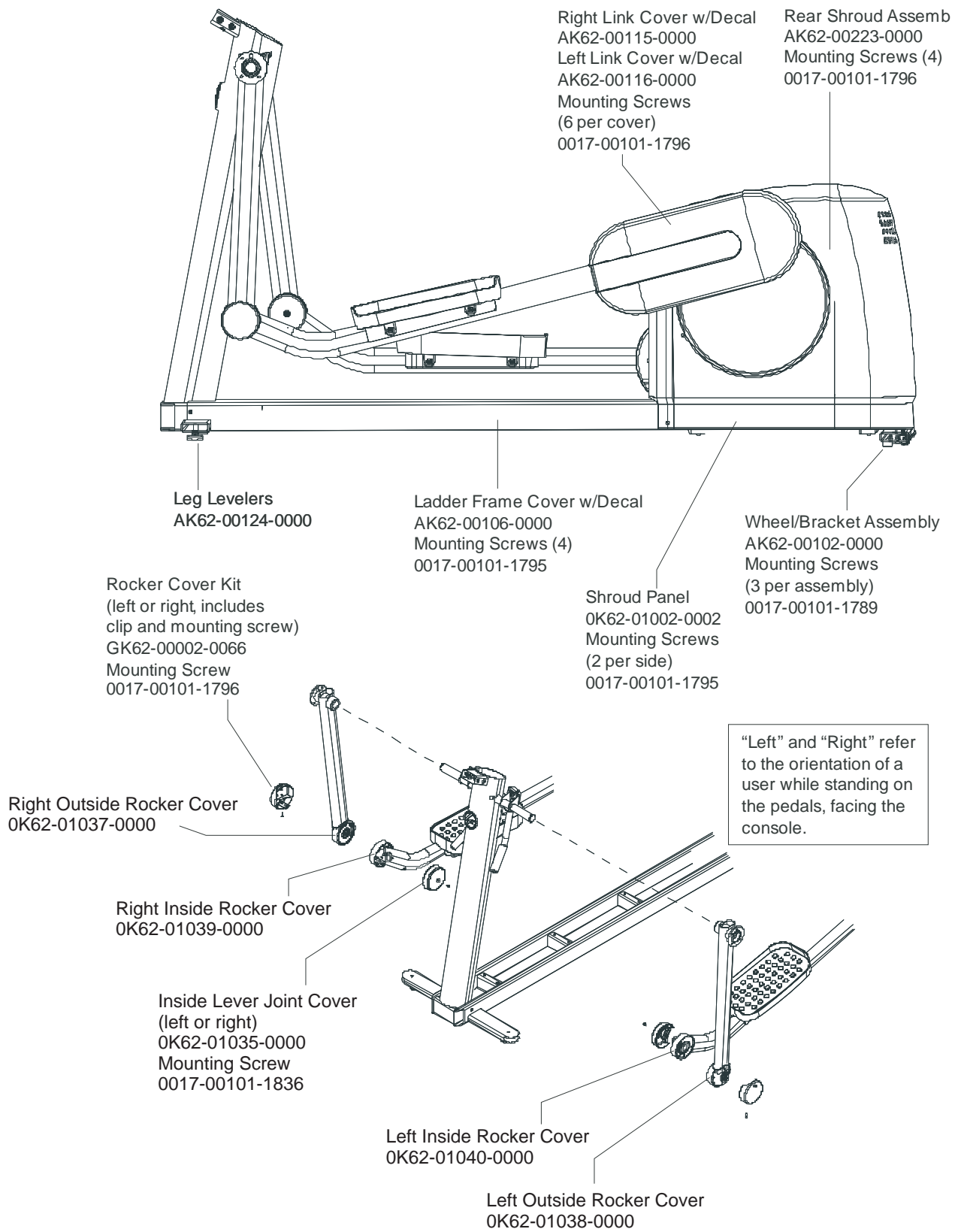
Crank Cover
OK61-03100-0001
2 - Mounting screws
0017-00101-1837

Stabilizer Caps
4 - OK62-01003-0000

Front frame Cap
OK62-01004-0000
Mounting Screws
(Located on front sides of Ladder Frame Cover)
2- 0017-00101-1795

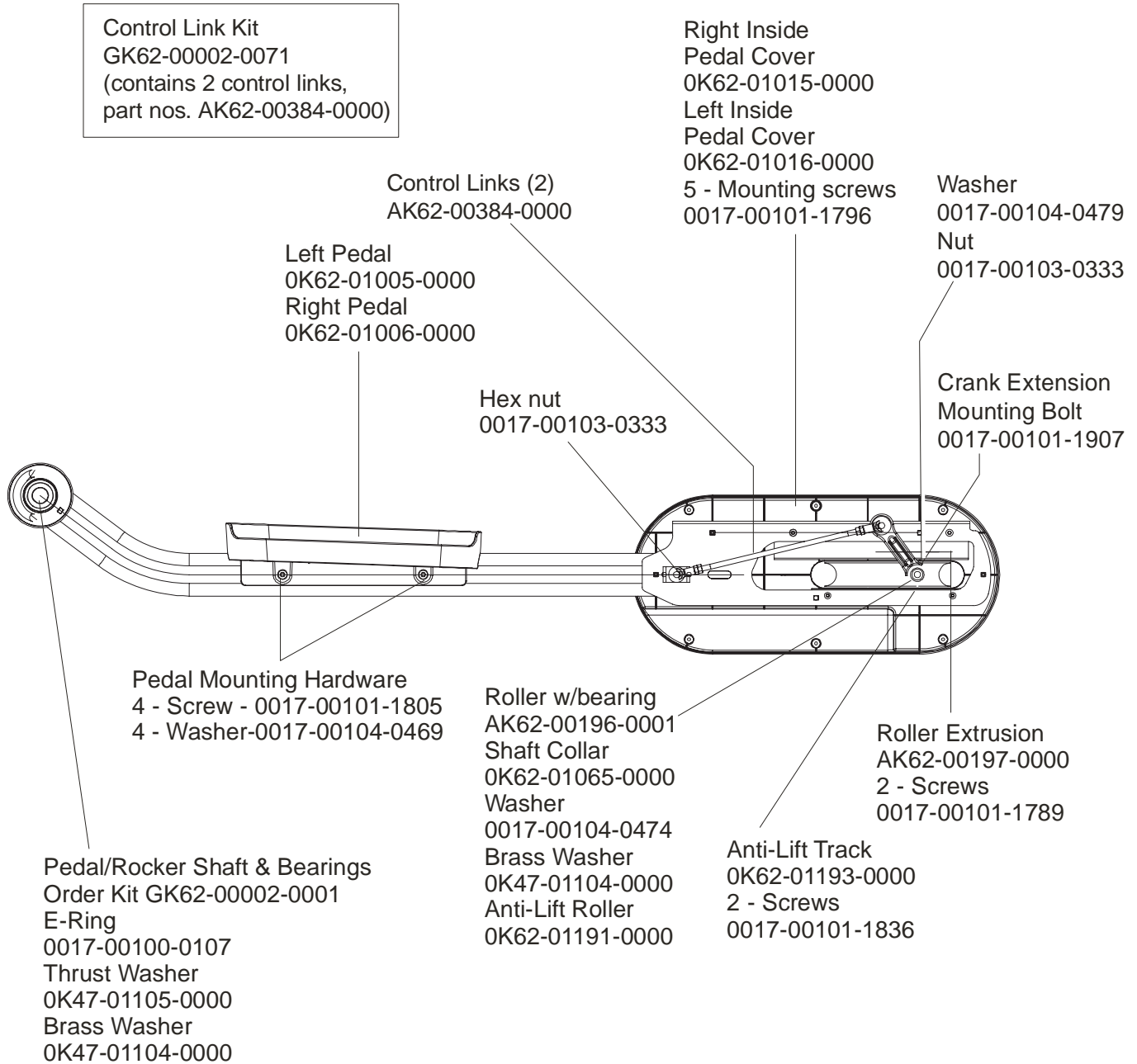
CROSS TRAINER 93X
Lower Frame Shrouds & Hardware

93X-0XXX-01
S/N XTB100001



CROSS TRAINER 93X
Pedal Lever Assembly Components

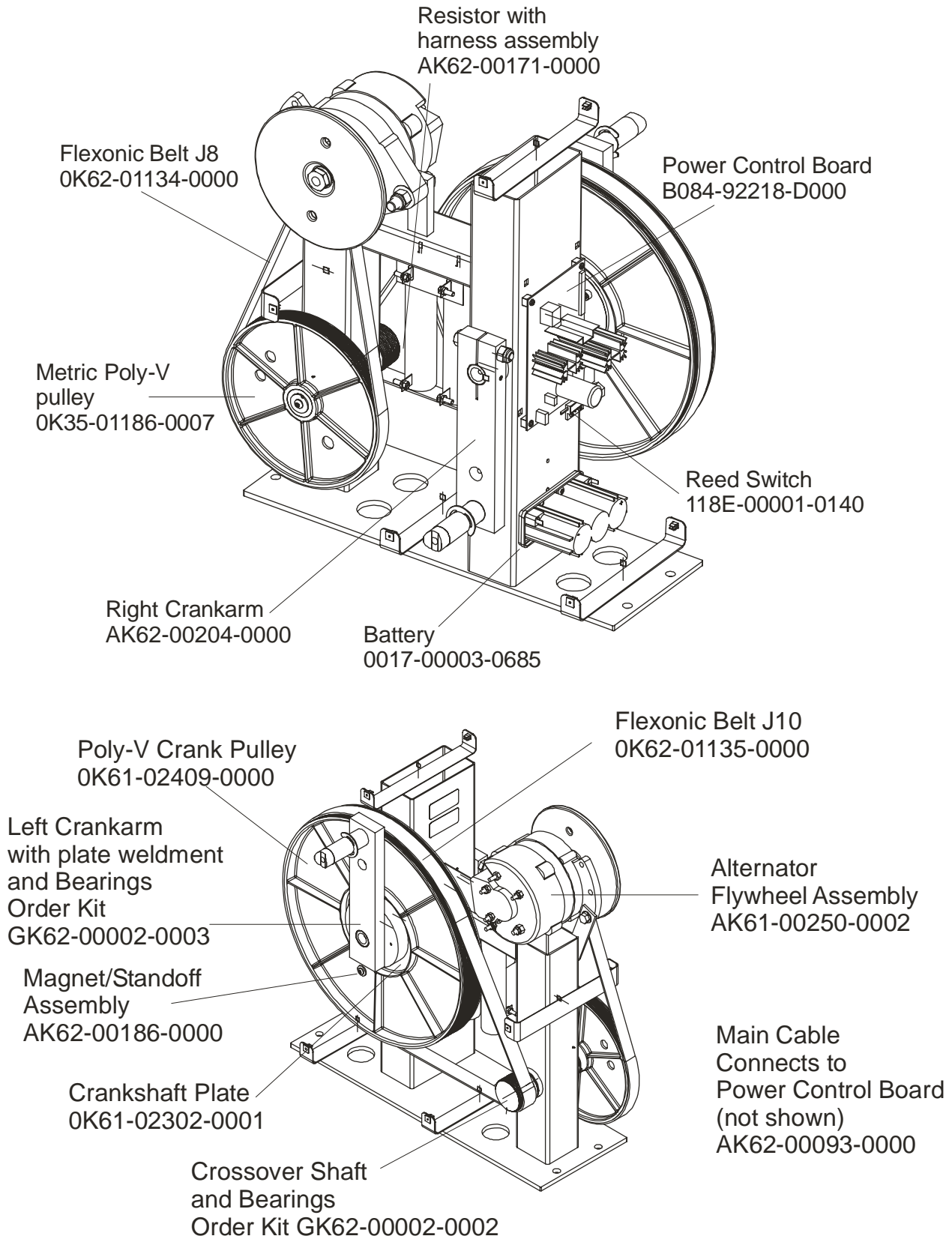
93X-0XXX-01
S/N XTB100000



Note: If replacing the Tie Rod Assembly or Crank Extension for the first time, order kit GK62-00002-0015. Both sides must be replaced simultaneously in this situation.

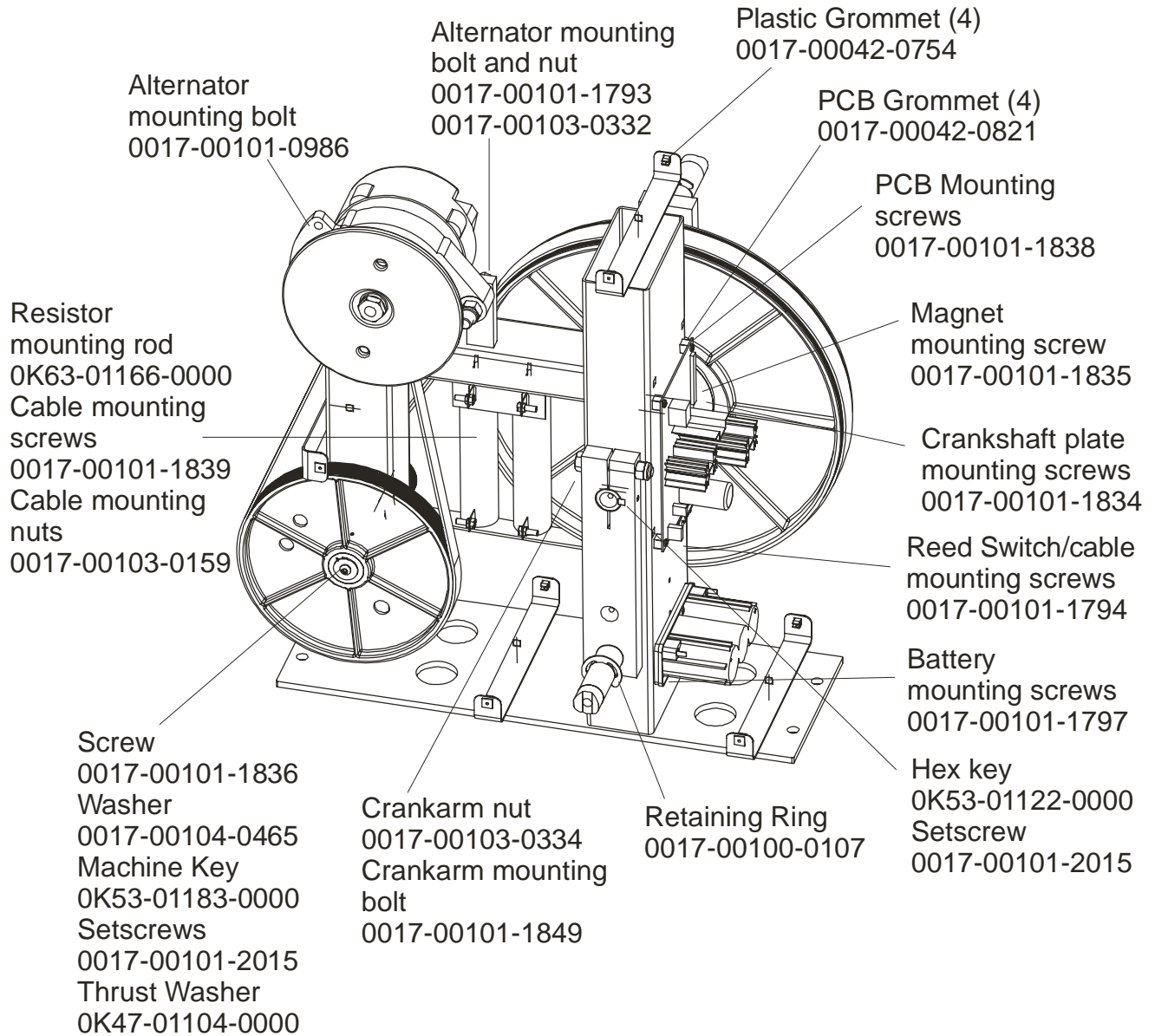
CROSS TRAINER 93X
Drive Module components & Cable

93X-0XXX-01
S/N XTB100000



CROSS TRAINER 93X
Drive Module Hardware

93X-0XXX-01
S/N XTB100000



UNLABELED PARTS

DESCRIPTION	PART NO.
BATTERY: 6V; 2.5AH C	0017-00003-0685
CVR-ASSY: W/DCLS:FRM;FSCT;MFG S/C-D	AK62-00106-0000
MANUAL: OPER; 93X/90X;ENG +	M051-00K62-A111

CROSS TRAINER 93X

Cables

93X-0XXX-01
S/N XTB100000

